

UN1200D1 Specifications

FEATURES

- › European, oil-cooled, two-headed motor-driven servo drive delivers fast response and maximise energy efficiency
- › Austrian KEBA control with dual CPU is stable, fast & accurate with 12" TFT colour touch screen display
- › Based on European design technology
- › High rigidity clamping unit delivers stability & accuracy, combined with uniform stress distribution on the tie bars
- › Rexroth highly responsive dual proportional valves on clamping unit offers accurate repeatability
- › L-shape guide rails deliver platen movement accuracy up to 0.05mm
- › Mould open position accurate to $\pm 0.2\text{mm}$
- › Tie bars independent of moving platen offers precision & speed

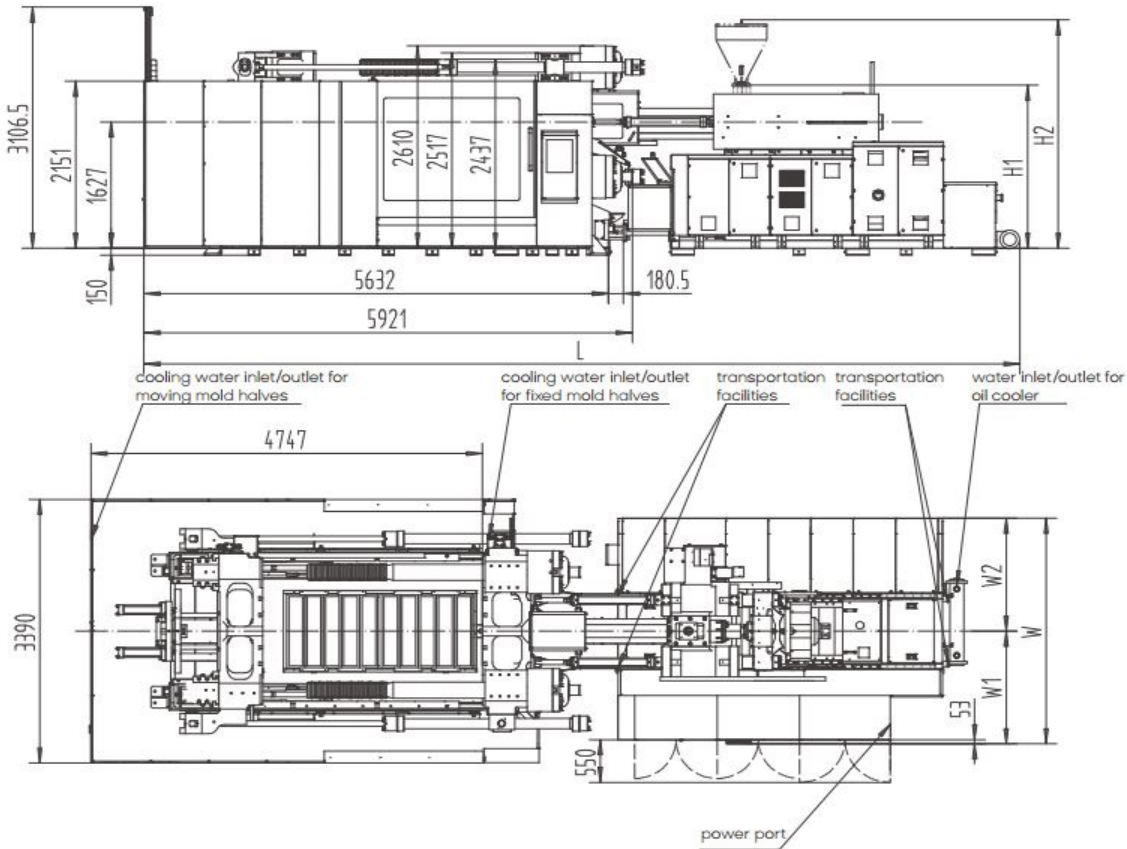
- › Dry cycle times faster than toggle lock machines
- › Small footprint compared to traditional three platen design
- › Low pressure & highly sensitive mould protection
- › Integrated linear guide rails on injection unit offer low resistance and accuracy
- › Repeatability of part weight $\leq 3\%$
- › Durable ceramic heater bands
- › Time, position or pressure switchover for holding phase start
- › Ultrasonic displacement sensor
- › Central lubrication for injection unit
- › European oil seals & guide rings
- › Double core pull



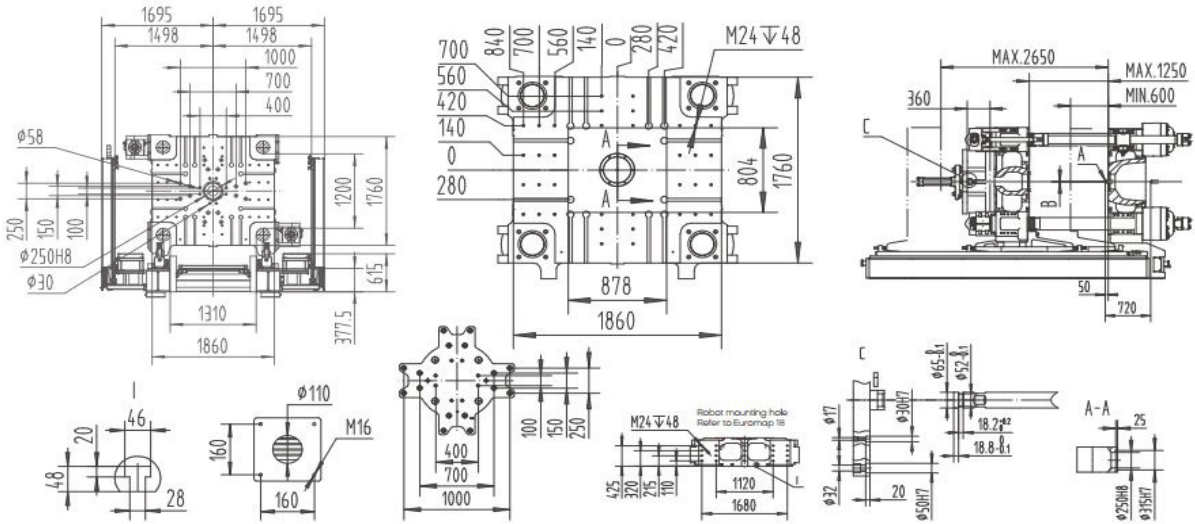
- › Double air blast circuit
- › Euromap robot interface & Euromap mounting
- › Hydraulic ejector
- › T-Slot platen
- › Auto mould height adjustment
- › Oil pre-heating
- › IP54 electrical enclosure
- › Precise filtration and independent cooling system
- › Service, warranty & parts supported by our in-house engineers

INJECTION UNIT		4800				6800				9000				10900			
		A	B	C	D	A	B	C	D	A	B	C	D	A	B	C	D
Screw diameter	mm	84	92	100	108	92	100	108	116	100	108	116	125	108	116	125	135
Shot volume	cm ³	2217	2659	3142	3664	3191	3770	4397	5073	4320	5038	5813	6748	5222	6024	6995	8159
Shot weight	g	2039	2446	2890	3371	2936	3468	4045	4667	3974	4636	5348	6208	4804	5542	6435	7506
Injection pressure	bar	2180	1810	1540	1340	2130	1800	1540	1340	2090	1790	1550	1340	2100	1820	1570	1350
Screw L:D ratio		21.9	20	21.6	20	21.7	22	21.5	20	21.6	20	21.6	20	23.7	22	21.6	20
Injection rate	cm ³ /s	520	624	737	860	615	726	847	980	766	894	1031	1197	815	940	1092	1273
Max. injection speed	mm/s	93.9				92.5				97.6				89			
Screw stroke	mm	400				480				550				570			
Max. screw speed	r/min	154				145				128				112			
Barrel heating zone no.	PCS	6				7				7				8			
CLAMPING UNIT																	
Clamping force	kN	12000															
Opening force	kN	875															
Platen size	mm	1860 x 1760															
Distance between tie-bars	mm	1310 x 1200															
Mould thickness (min-max)	mm	600 - 1250															
Opening stroke	mm	2050 / 1400															
Max. daylight	mm	2650															
Ejector force	kN	274															
Ejector stroke	mm	360															
Ejector number	PCS	25															
ELECTRICAL & HYDRAULIC UNITS																	
System pressure	MPa	17.5 / 30				17.5 / 30				17.5 / 30				17.5 / 30			
Pump motor	kW	66 + 5.5				89 + 7.5				110 + 7.5				89 + 37 + 7.5			
Total power	kW	108.6	108.6	118.5	118.5	143.5	143.5	153.1	153.1	169.3	169.3	178.4	178.4	199.9	199.9	204.1	204.1
Heater power	kW	37.14	37.14	47	47	47	47	56.6	56.6	51.76	51.76	60.9	60.9	66.37	66.37	70.63	70.63
GENERAL																	
Oil tank capacity	L	1000				1150				1400				1600			
Machine dimensions	T	10.5 x 3.4 x 3.1				10.5 x 3.4 x 3.1				10.6 x 3.4 x 3.1				11.1 x 3.4 x 3.1			
Machine weight (LxWxH)	m	32 + 6.5				32 + 8.5				32 + 11				32 + 13			
Max. mould weight	T	20				20				20				20			

MACHINE DIMENSIONS



PLATEN DRAWINGS



Model	A	B	L	H1	H2	W	W1	W2	Main power cord size	Full-load current	Bearing capacity of foundation	Mold cooling water ports	Cooling water flow (mold excluded)	Cooling water pressure	Compressed air pressure
	mm	mm	mm	mm	mm	mm	mm	mm	mm ²	A	t/m ²	n×L/min	L/min	bar	bar
UN1200D1-IU4800	SR15	φ4.5	10491	1812	2677	2333	1113	1220	70	215.49	8	(8+8)×11	100	3~4	5~6
UN1200D1-IU6800	SR15	φ4.5	10491	1812	2677	2711	1352	1359	75	259.84	8	(8+8)×11	100	3~4	5~6
UN1200D1-IU9000	SR15	φ4.5	10621	2196	3038	2906	1450.5	1455.5	95	316.71	8	(8+8)×11	100	3~4	5~6
UN1200D1-IU10900	SR20	φ6	11091	2231	3073	2906	1450.5	1455.5	120	370.88	8	(8+8)×11	100	3~4	5~6