

# UN200A5 Specifications

895/2000



## FEATURES

- World famous Austrian made KEBA 1075 Microprocessor control
- Control of oil temperature from the Keba controller
- Oil level monitoring
- Injection hold changeover by time, distance or pressure
- Control of barrel throat temperature via the Keba controller
- Semi-auto start button on a flying lead with magnetic base
- European linear transducers
- European seals
- European hydraulic valves
- European switchgear
- Back pressure controlled by proportional valve
- Water manifold with 6 circuits
- 2 x air-blast circuits with pneumatic valves fitted
- Double core pull
- Euromap 67 interface
- Ejector safety circuit
- Oil preheating circuit
- Servo motor energy saving pump system
- CE certification
- Anti-vibration mounts
- Spares package
- Tool kit & mould clamps
- 3 off auxiliary three phase sockets
- 24 month warranty as standard

## ADDITIONAL OPTIONS

- KEBA 2000
- Hot runner interface
- Bi-metallic plasticising unit
- Ceramic heater bands
- Accumulator injection unit
- Additional sockets
- Infrared barrel heating

## INJECTION UNIT

Screw designation		A	B	C
Shot volume	cm <sup>3</sup>	425.2	518.4	664
Shot weight	g	391.2	476.9	610.9
	oz	13.8	16.8	21.5
Screw diameter	mm	48	53	60
Injection pressure	MPa	210.7	172.8	134.8
Injection rate	g/s	149	182	233
Screw L:D ratio		22:1	20:1	20:1
Max. injection speed	mm/s	90.4		
Screw stroke	mm	235		
Screw speed (stepless)	r/min	0 - 196		

## CLAMP UNIT

Clamping force	kN	2000
Opening stroke	mm	490
Space between tie bars	mm	530 x 530
Max. daylight	mm	1040
Mould thickness (min-max)	mm	180 - 550
Ejector stroke	mm	150
Ejector number		5
Ejector force	kN	49

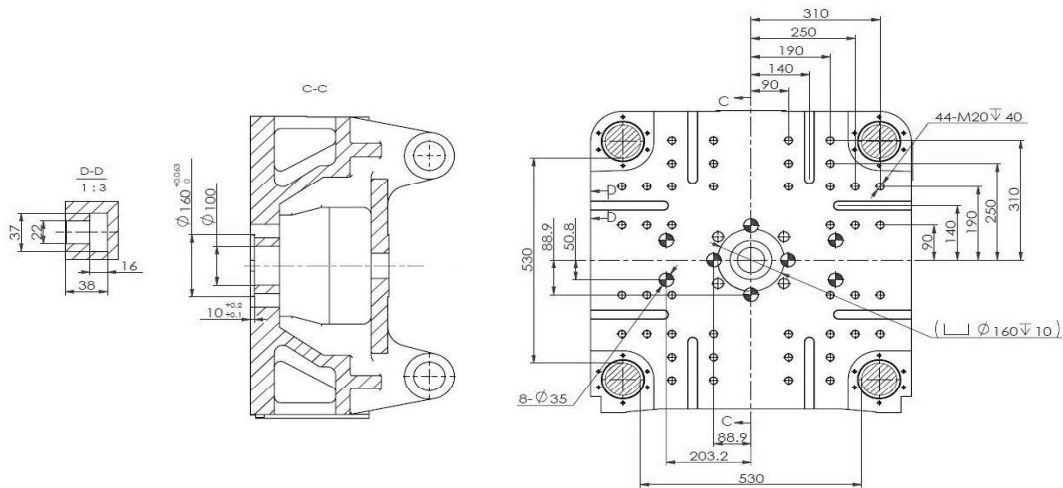
## POWER UNIT

Hydraulic system pressure	MPa	17.5
Pump motor	kW	23
Heating capacity	kW	14.4 / 16.8
Number of temp control zones		5

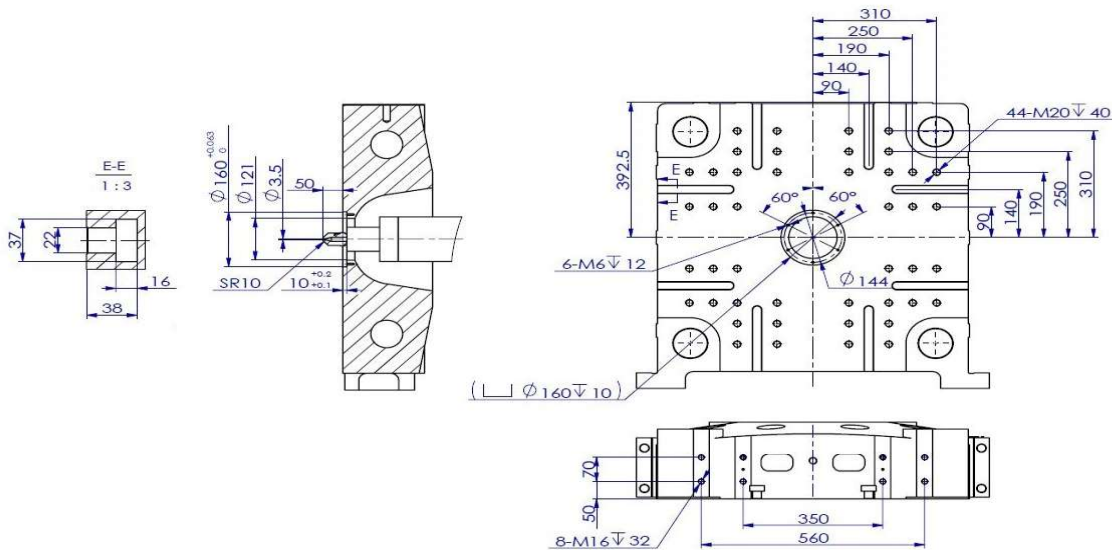
## GENERAL

Dry cycle time	s	2.7
Oil tank capacity	L	255
Machine dimensions (l x w x h)	m	5.76 x 1.45 x 2.09
Machine weight	kg	6500

**MOVING PLATEN DIMENSIONS**



**FIXED PLATEN DIMENSIONS**



**MACHINE DIMENSIONS**

