

UN160A5 Specifications

604/1600



FEATURES

- World famous Austrian made KEBA 1075 Microprocessor control
- Control of oil temperature from the Keba controller
- Oil level monitoring
- Injection hold changeover by time, distance or pressure
- Control of barrel throat temperature via the Keba controller
- Semi-auto start button on a flying lead with magnetic base
- European linear transducers
- European seals
- European hydraulic valves
- European switchgear
- Back pressure controlled by proportional valve
- Water manifold with 6 circuits
- 2 x air-blast circuits with pneumatic valves fitted
- Double core pull
- Euromap 67 interface
- Ejector safety circuit
- Oil preheating circuit
- Servo motor energy saving pump system
- CE certification
- Anti-vibration mounts
- Spares package
- Tool kit & mould clamps
- 3 off auxiliary three phase sockets
- 24 month warranty as standard

ADDITIONAL OPTIONS

- KEBA 2000
- Hot runner interface
- Bi-metallic plasticising unit
- Ceramic heater bands
- Accumulator injection unit
- Additional sockets
- Infrared barrel heating

INJECTION UNIT

Screw designation		A	B	C
Shot volume	cm ³	297.7	370.9	452.3
Shot weight	g	273.9	341.2	416.1
	oz	9.7	12	14.7
Screw diameter	mm	43	48	53
Injection pressure	MPa	203	162.9	133.6
Injection rate	g/s	124	154	188
Screw L:D ratio		22.3:1	20:1	20:1
Max. injection speed	mm/s	93.7		
Screw stroke	mm	205		
Screw speed (stepless)	r/min	0 - 235		

CLAMP UNIT

Clamping force	kN	1600
Opening stroke	mm	420
Space between tie bars	mm	460 x 460
Max. daylight	mm	940
Mould thickness (min-max)	mm	160 - 520
Ejector stroke	mm	140
Ejector number		5
Ejector force	kN	42

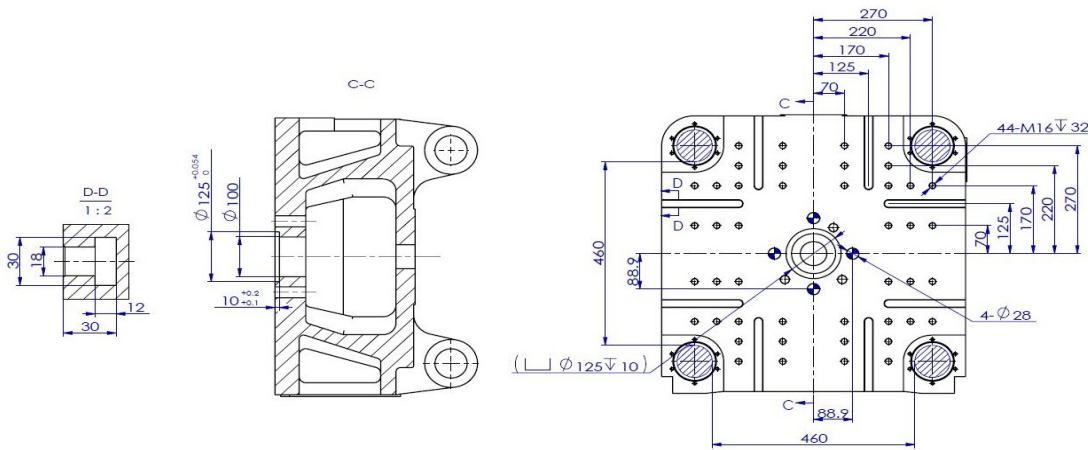
POWER UNIT

Hydraulic system pressure	MPa	17.5
Pump motor	kW	17.6
Heating capacity	kW	10.9 / 12.1
Number of temp control zones		4

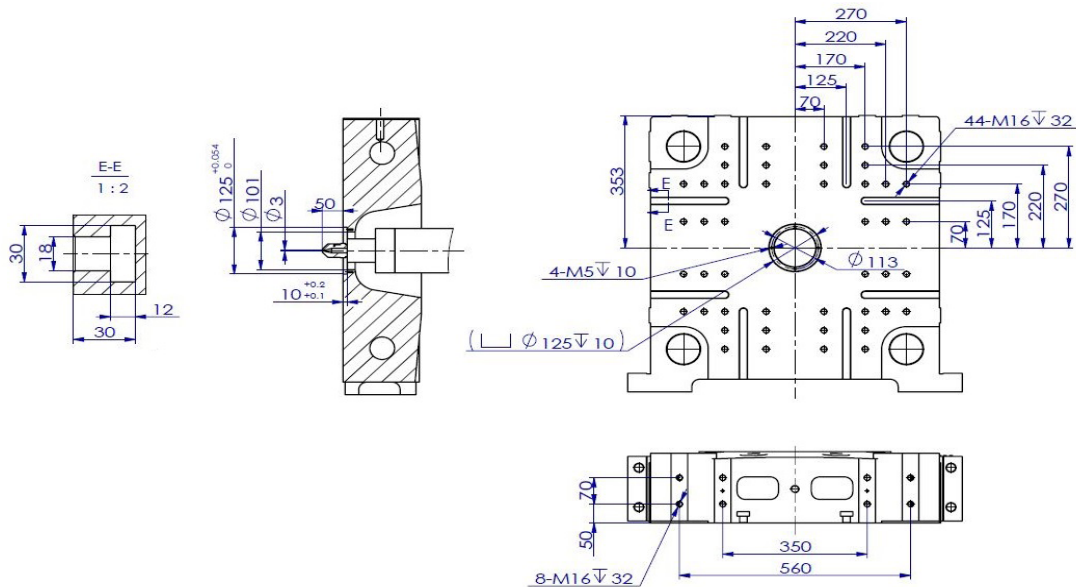
GENERAL

Dry cycle time	s	2.4
Oil tank capacity	L	220
Machine dimensions (l x w x h)	m	5.35 x 1.37 x 2.02
Machine weight	kg	5000

MOVING PLATEN DIMENSIONS



FIXED PLATEN DIMENSIONS



MACHINE DIMENSIONS

